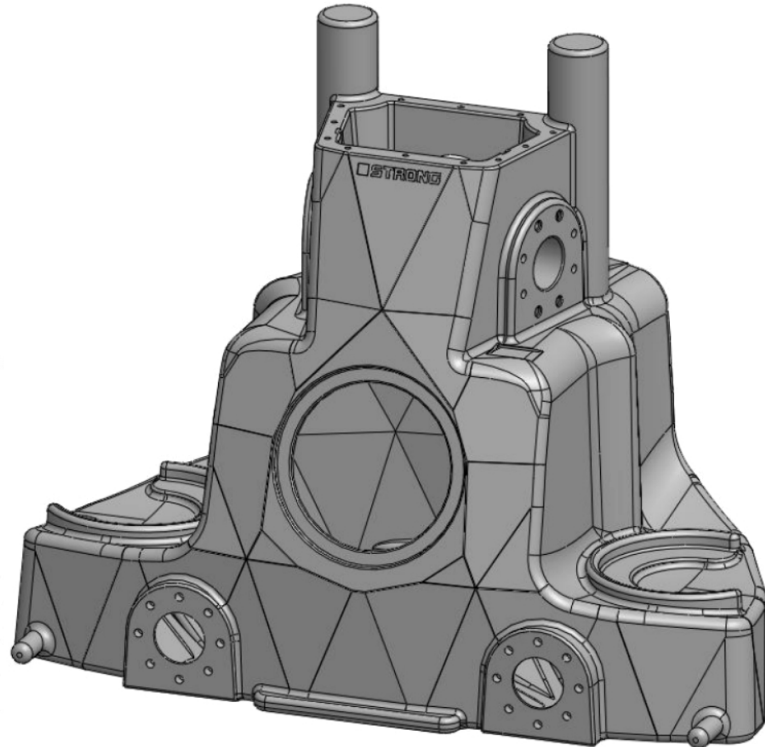


Registreeritud / Registered 06/01/2022



No 008818124-0001



**EUROOPA LIIDU  
INTELLEKTUAALOMANDI AMET  
REGISTREERIMISTUNNISTUS**

Käesolev Registreerimistunnistus väljastatakse allpool esitatud ühenduse disainilahendusele. Ühenduse disainilahenduste Registrisse on tehtud vastavad kanded.

---

**EUROPEAN UNION INTELLECTUAL  
PROPERTY OFFICE  
CERTIFICATE OF REGISTRATION**

This Certificate of Registration is hereby issued for the Registered Community Design identified below. The corresponding entries have been recorded in the Register of Community Designs.

*Tegevdirektor / The Executive Director*

A handwritten signature in black ink, appearing to read 'Archambeau'.

*Christian Archambeau*

