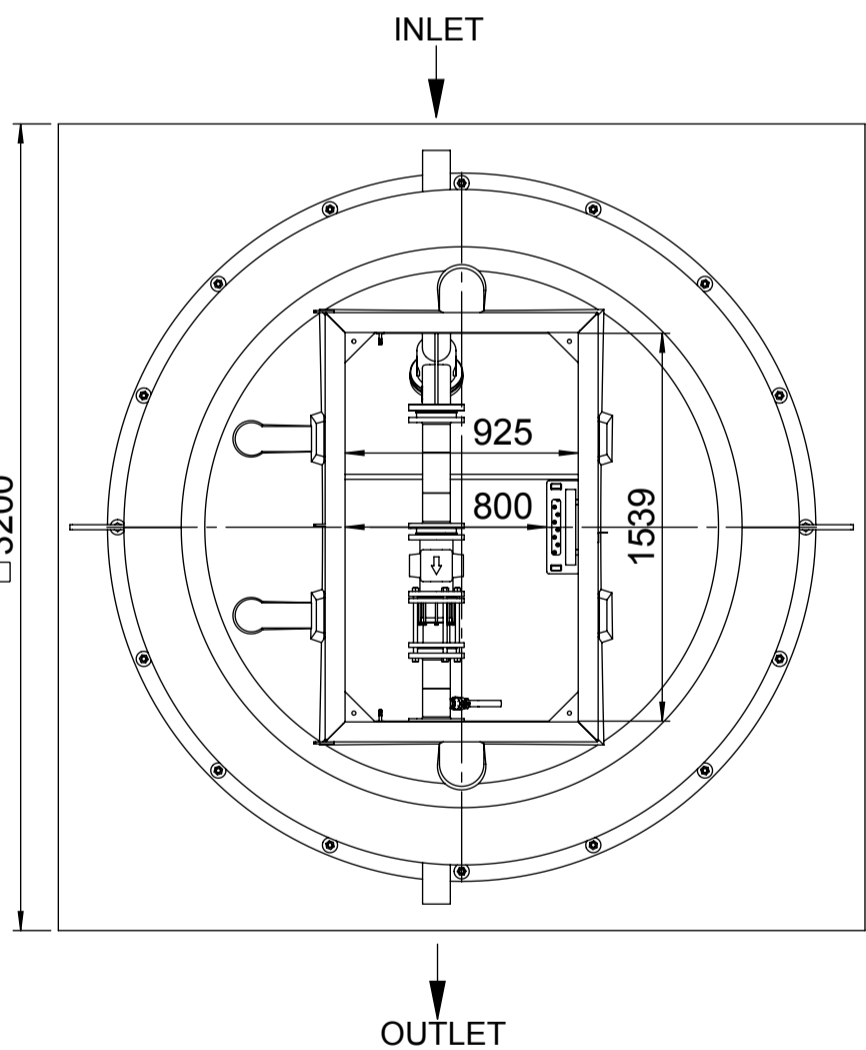
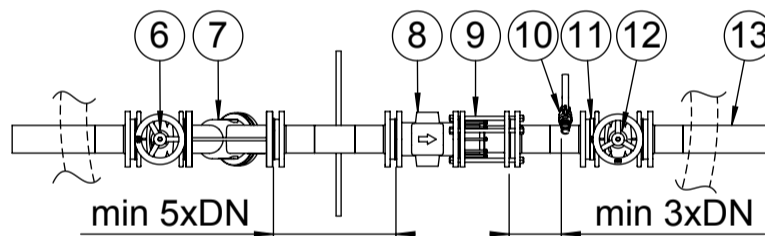
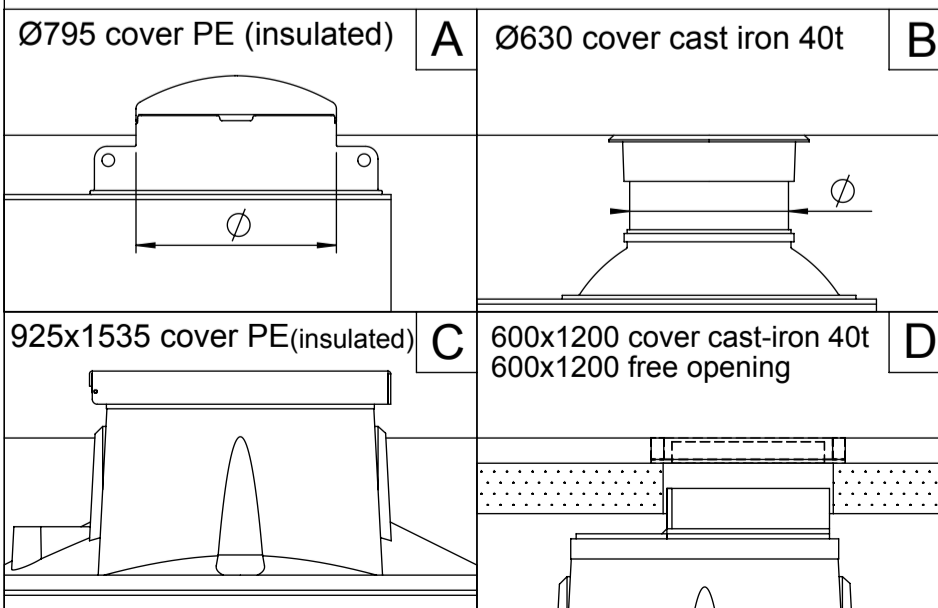


NB! Current composition DN100 max.



Pos.	Description	Material, Type	Size
1	Cover	PE / Cast iron	according to selection
2	Handrail, telescopic	AISI316	220x925
3	Service opening	PE	according to selection
4	Ladder, non slippery steps	AISI316	300x345
5	Tank cylinder, double wall	PE100	ID2400, SN4
6	Gate valve AVK	Ductile iron, epoxy coating	according to selection
7	Mud stainer	Ductile iron, epoxy coating	according to selection
8	Watermeter	Steel	according to selection
9	Dismatling joint	Steel	according to selection
10	Ball valve, for emptying	Brass	DN25, G1"
11	Non return valve	Steel	according to selection
12	Gate valve AVK	Ductile iron, epoxy coating	according to selection
13	Pressure pipe	PE100	according to selection
14	Anchor bolt W-FA	AISI316	M20x150, 16 pcs
15	Bottom, steel reinforced	PE100 - Steel	120 mm
16	Concrete plate, reinforced	Concrete	200x3200x3200
	Bolts, nuts, washers	AISI316	M16



Service opening type	A	B	C	D
Handrail, telescopic (not available for type "B")	YES	NO		
Pressure pipe depth from Ground Surface	H =			mm
Pressure pipe diameter	D =			mm
Watermeter size	DN =			
Mud stainer	YES	NO		
Non return valve	YES	NO		

Drawn:	A.Käärid	<b>Watermeter well ID2400 STRONG</b>
Approved:	J.Karolin	

<b>Innovative Water Systems</b>	www.iwsgroup.ee	Mass: kg	Product code:	Rev.
	NA	505230 / ordersheet	0	