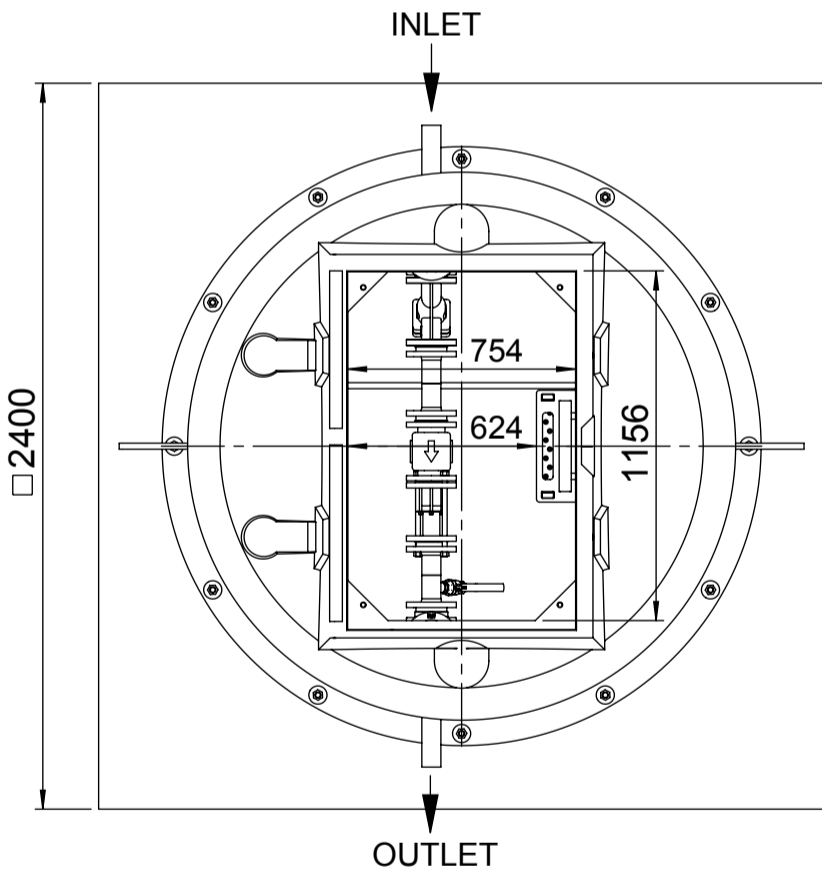
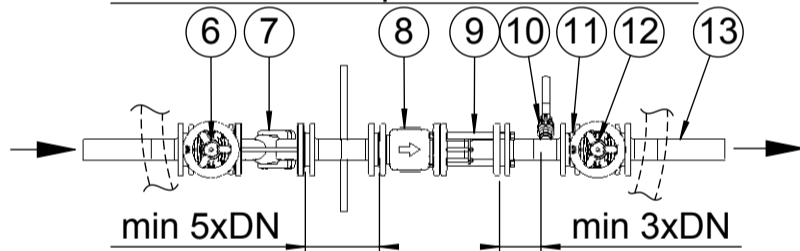


NB! Current composition DN50 max.



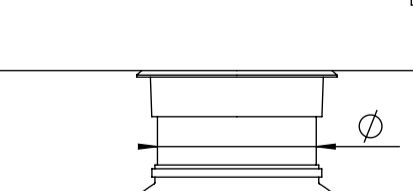
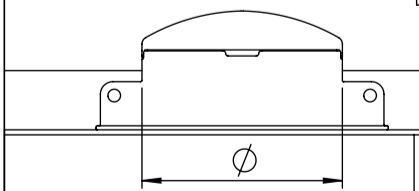
Pos.	Description	Material, Type	Size
1	Cover	PE / Cast iron	according to selection
2	Handrail, telescopic	AISI316	220x925
3	Service opening	PE	according to selection
4	Ladder, non slippery steps	AISI316	300x345
5	Tank cylinder, double wall	PE100	ID1600, SN4
6	Gate valve AVK	Ductile iron	according to selection
7	Mud stainer	Ductile iron	according to selection
8	Watermeter	Steel	according to selection
9	Dismantling joint	Steel	according to selection
10	Ball valve, for emptying	Brass	DN25, G1"
11	Non return valve	Steel	according to selection
12	Gate valve AVK	Ductile iron	according to selection
13	Pressure pipe	PE100	according to selection
14	Anchor bolt W-FA	AISI316	M20x150, 12 pcs
15	Bottom, steel reinforced	PE100 - Steel	100 mm
16	Concrete plate, reinforced	Concrete	200x2400x2400
	Bolts, nuts, washers	AISI316	M16

Ø795 cover PE (insulated)

A

Ø630 cover cast iron 40t

B

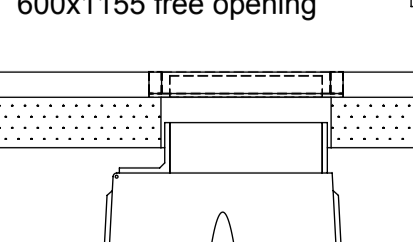
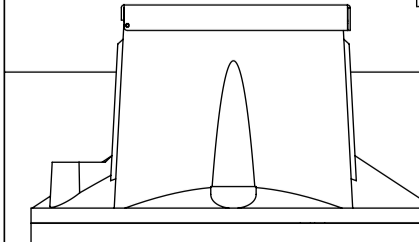


755x1155 cover PE(insulated)

C

600x1200 cover cast-iron 40t
600x1155 free opening

D



Service opening type	A	B	C	D
Handrail, telescopic (not available for type "B")	YES / NO			
Pressure pipe depth from Ground Surface	H =		mm	
Pressure pipe diameter	D =		mm	
Watermeter size	DN =			
Mud stainer	YES	NO		
Non return valve	YES	NO		

Drawn: A.Käärid
Approved: J.Karolin

Watermeter well ID1600 STRONG

www.iwsgroup.ee
Mass: kg
Product code:
Rev.

Innovative Water Systems

NA

505220 / ordersheet

0