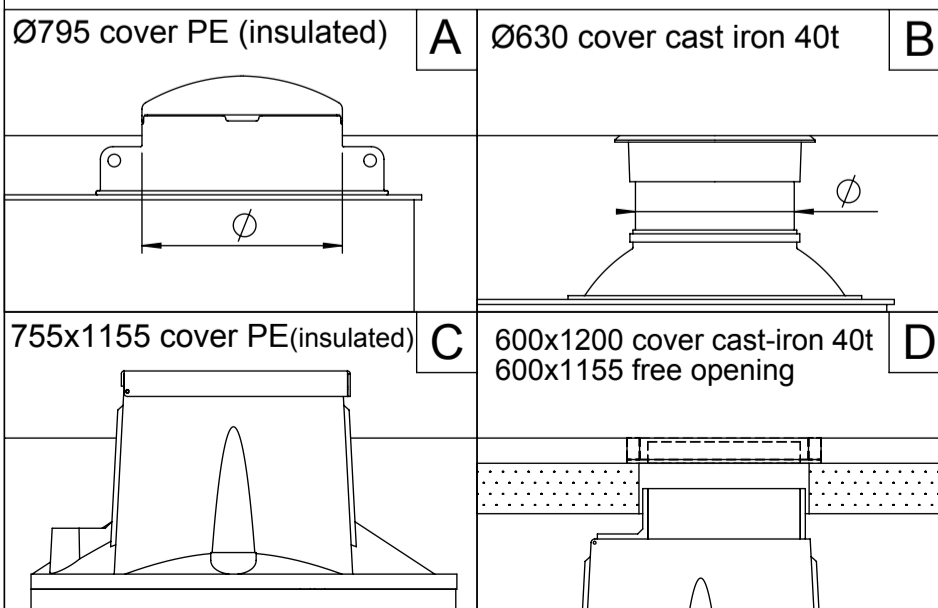


Pos.	Description	Material, Type	Size
1	Cover	PE / Cast iron	according to selection
2	Handrail, telescopic	AISI316	220x925
3	Service opening	PE	according to selection
4	Ladder, non slippery steps	AISI316	300x345
5	Tank cylinder, double wall	PE100	ID1600, SN4
6	Backing ring	PP - Steel	according to selection
7	Gate valve, AVK	Ductile iron, epoxy coated	according to selection
8	Flanged tee	Ductile iron, epoxy coated	according to selection
9	Tensile combi-flange	Ductile iron, epoxy coated	according to selection
10	Pressure pipe	PE100	according to selection
11	Anchor bolt W-FA	AISI316	M20x150, 12 pcs
12	Bottom, steel reinforced	PE100 - Steel	100 mm
13	Concrete plate, reinforced	Concrete	200x2400x2400
	Bolts, nuts, washers	AISI316	according to selection



Service opening type	A	B	C	D
Handrail, telescopic (not available for type "B")	YES / NO			
Pressure pipe depth from Ground Surface	H =			mm
Pressure pipe 1 diameter	D1 =			mm
Pressure pipe 2 diameter	D2 =			mm
Pressure pipe 3 diameter	D3 =			mm

Drawn:	A.Käärid	Valve chamber ID1600 STRONG		
Approved:	J.Karolin			
www.iwsgroup.ee		Mass: kg	Product code:	Rev.
Innovative Water Systems		NA	505220 / ordersheet	0