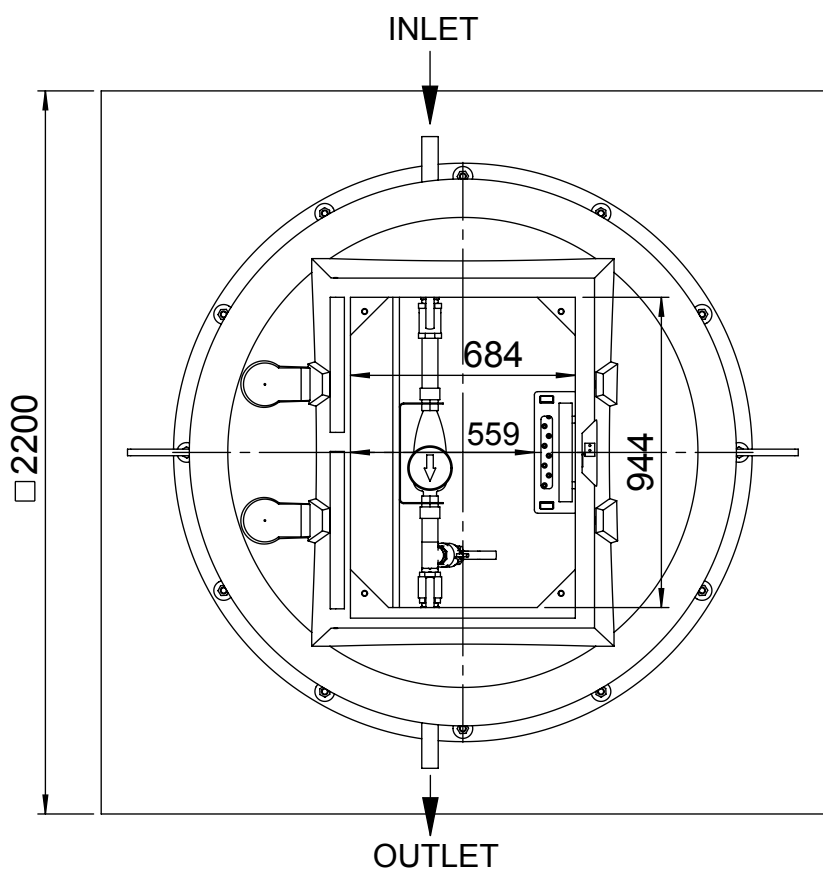
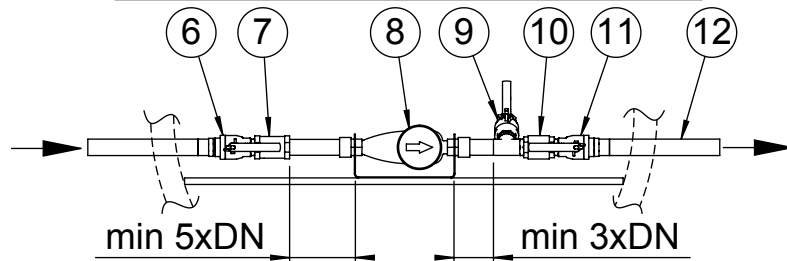
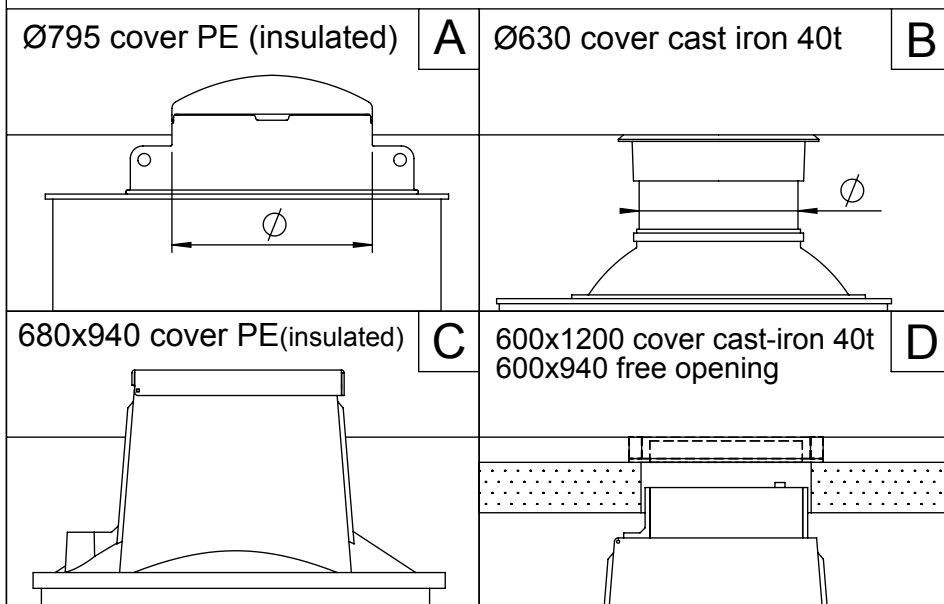


NB! Current composition DN40 max.



Pos.	Description	Material, Type	Size
1	Cover	PE / Cast iron	according to selection
2	Handrail, telescopic	AISI316	220x925
3	Service opening	PE	according to selection
4	Ladder, non slippery steps	AISI316	300x345
5	Tank cylinder, double wall	PE100	ID1400, SN4
6	Ball valve 1, for closing	Brass	according to selection
7	Mud stainer	Brass	according to selection
8	Watermeter, with console	Steel	according to selection
9	Ball valve 2, for emptying	Brass	according to selection
10	Non return valve	Brass	according to selection
11	Ball valve 3, for closing	Brass	according to selection
12	Pressure pipe	PE100	according to selection
13	Anchor bolt W-FA	AISI316	M20x150, 12 pcs
14	Bottom	PE100 - Steel	100 mm
15	Concrete plate, reinforced	Concrete	200x2200x2200



Service opening type	A	B	C	D
Handrail, telescopic (not available for type "B")	YES / NO			
Pressure pipe depth from Ground Surface	H = mm			
Pressure pipe diameter	D = mm			
Watermeter size	DN =			
Mud stainer	YES	NO		
Non return valve	YES	NO		

Drawn:	A.Käärid	Watermeter well ID1400 STRONG		
Approved:	J.Karolin			
www.iwsgroup.ee		Mass: kg	Product code:	Rev.
Innovative Water Systems		NA	505215 / ordersheet	0