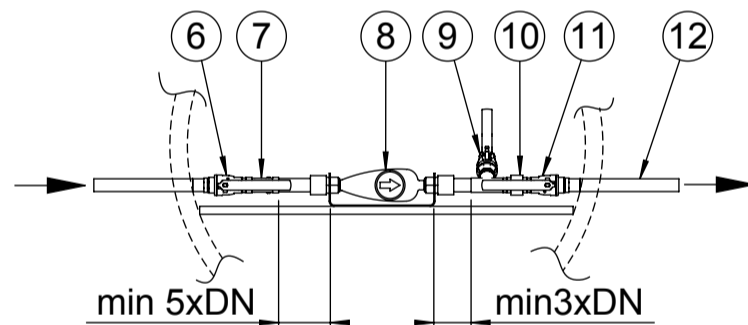
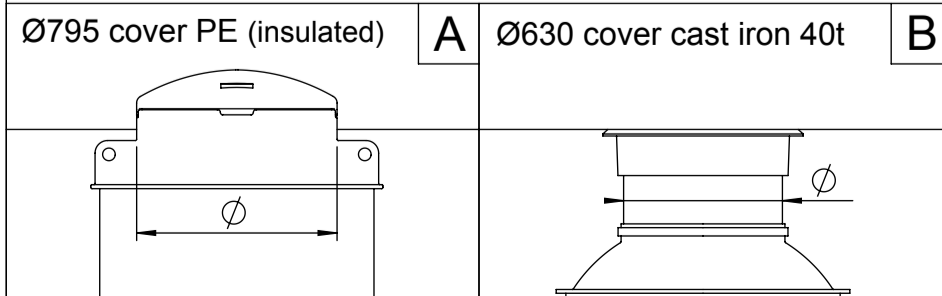


NB! Current composition DN25 max.



Pos.	Description	Material, Type	Size
1	Cover	PE / Cast iron	according to selection
2	Handrail, telescopic	AISI316	220x925
3	Service opening	PE	according to selection
4	Tank cylinder, double wall	PE100	ID1000, SN2
5	Ladder, non slippery steps	AISI316	300x345
6	Ball valve 1, for closing	Brass	according to selection
7	Mud stainer	Brass	according to selection
8	Watermeter, with console	Steel	according to selection
9	Ball valve 2, for emptying	Brass	according to selection
10	Non return valve	Brass	according to selection
11	Ball valve 3, for closing	Brass	according to selection
12	Pressure pipe	PE100	according to selection
13	Bottom	PE100	20 mm

Service opening type	A	B
Handrail, telescopic (not available for type "B")	YES / NO	
Pressure pipe depth from Ground Surface	H =	mm
Pressure pipe diameter	D =	mm
Watermeter size	DN =	
Mud stainer	YES	NO
Non return valve	YES	NO



Drawn:	A.Käärid	Watermeter well ID1000 STRONG		
Approved:	J.Karolin			
www.iwsgroup.ee		Mass: kg	Product code:	Rev.
Innovative Water Systems		NA	505205 / ordersheet	0