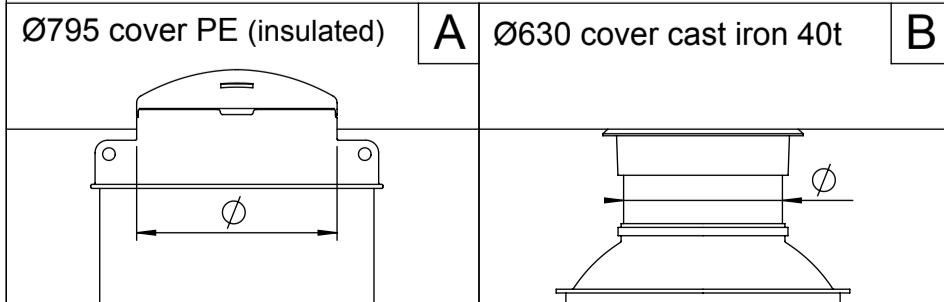


Pos.	Description	Material, Type	Size
1	Cover	PE / Cast iron	according to selection
2	Handrail, telescopic	AISI316	220x925
3	Service opening	PE	according to selection
4	Tank cylinder, double wall	PE100	ID1000, SN2
5	Ladder, non slippery steps	AISI316	300x345
6	Air release valve	Steel	according to selection
7	Ball valve / Gate valve AVK	AISI316 / Ductile iron	according to selection
8	Pressure pipe	PE100	according to selection
9	Bottom	PE100	20 mm

Service opening type	A	B
Handrail, telescopic (not available for type "B")	YES / NO	
Pressure pipe depth from Ground Surface	H =	mm
Pressure pipe diameter	D =	mm
Air release valve type	Potable water	Sewage
Air release valve connection	1" 2" DN50	DN80 DN100



Drawn:	A.Käärid	Air release well ID1000 STRONG		
Approved:	J.Karolin			
www.iwsgroup.ee		Mass: kg	Product code:	Rev.
Innovative Water Systems		NA	505205 / ordersheet	0