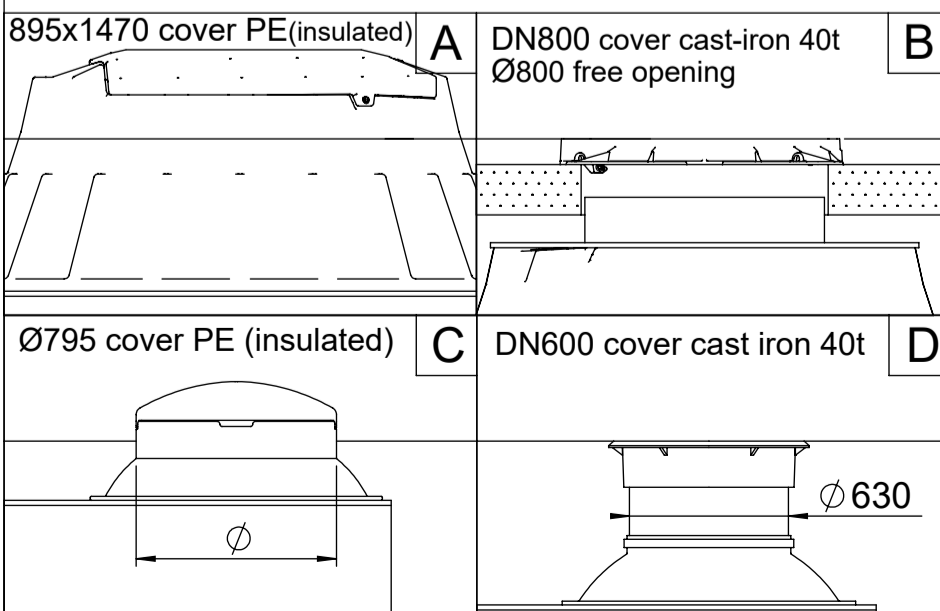


Pos.	Description	Material, Type	Size
1	Cover	PE / Cast iron	according to selection
2	Handrail, telescopic	AISI316	270x1620
3	Service opening	PE	according to selection
4	Ladder, non slippery steps	AISI316	300x280
5	Tank cylinder, double wall	PE100	ID2400, SN4
6	Backing ring	PP - Steel	according to selection
7	Gate valve, AVK	Ductile iron, epoxy coated	according to selection
8	Flanged tee	Ductile iron, epoxy coated	according to selection
9	Tensile combi-flange	Ductile iron, epoxy coated	according to selection
10	Pressure pipe	PE100	according to selection
11	Anchor bolt W-FA	AISI316	M20x150, 16 pcs
12	Bottom, steel reinforced	PE100 - Steel	155 mm
13	Concrete plate, reinforced	Concrete	200x3200x3200
	Bolts, nuts, washers	AISI316	according to selection



Service opening type	A <input type="checkbox"/> B <input type="checkbox"/> C <input type="checkbox"/> D <input type="checkbox"/>
Handrail, telescopic (not available for type "B")	<input type="checkbox"/> YES / NO <input type="checkbox"/>
Pressure pipe depth from Ground Surface	H =            mm
Pressure pipe 1 diameter	D1 =           mm
Pressure pipe 2 diameter	D2 =           mm
Pressure pipe 3 diameter	D3 =           mm

Drawn:	K.Käbi	<b>Valve chamber ID2400 STRONG</b>		
Approved:				
www.iwsgroup.ee		Mass: kg	Product code:	Rev.
<b>Innovative Water Systems</b>		<b>NA</b>	<b>505230 / ordersheet</b>	<b>3</b>