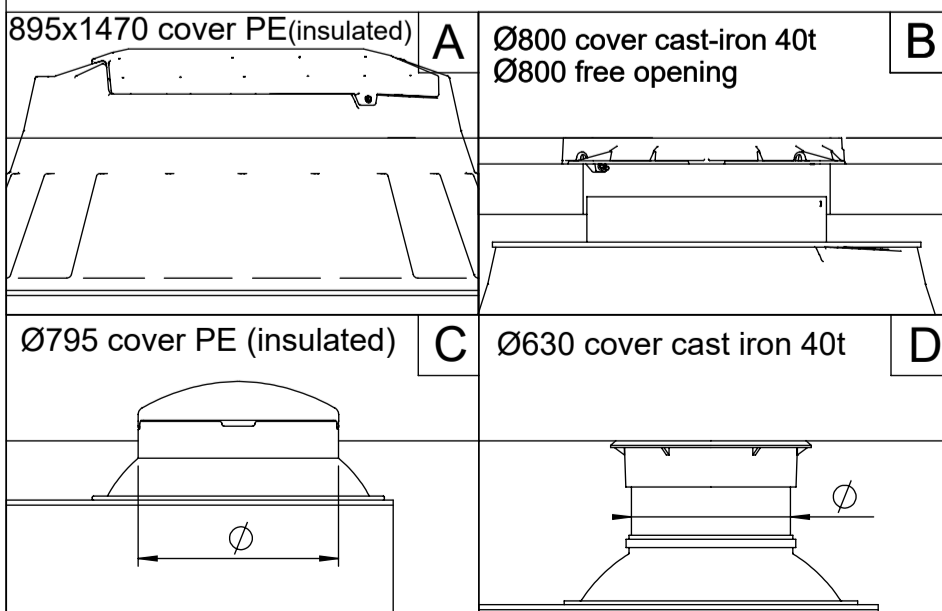


Pos.	Description	Material, Type	Size
1	Cover	PE / Cast iron	according to selection
2	Handrail, telescopic	AISI316	270x1620
3	Service opening	PE	according to selection
4	Ladder, non slippery steps	AISI316	300x345
5	Air release valve	Steel	according to selection
6	Tank cylinder, double wall	PE100	ID2400, SN4
7	Gate valve AVK	Ductile iron	according to selection
8	Pressure pipe	PE100	according to selection
9	Bottom, steel reinforced	PE100 - Steel	155 mm
10	Anchor bolt W-FA	AISI316	M20x150, 16 pcs
11	Concrete plate, reinforced	Concrete	200x3200x3200
12	Backing rings	PP-Steel	according to selection
13	Bolts, nuts, washers	AISI316	M16



Service opening type	A <input type="checkbox"/> B <input type="checkbox"/> C <input type="checkbox"/> D <input type="checkbox"/>
Handrail, telescopic (not available for type "B")	<input type="checkbox"/> YES / NO <input type="checkbox"/>
Pressure pipe depth from Ground Surface	H = mm
Pressure pipe diameter	D = mm
Air release valve type	Potable water <input type="checkbox"/> Sewage <input type="checkbox"/>
Air release valve connection	DN50 <input type="checkbox"/> DN80 <input type="checkbox"/> DN100 <input type="checkbox"/> DN150 <input type="checkbox"/> DN200 <input type="checkbox"/>

Drawn:	K.Käbi	Air release well ID2400 STRONG		
Approved:				
www.iwsgroup.ee		Mass: kg	Product code:	Rev.
Innovative Water Systems		NA	505230 / ordersheet	2