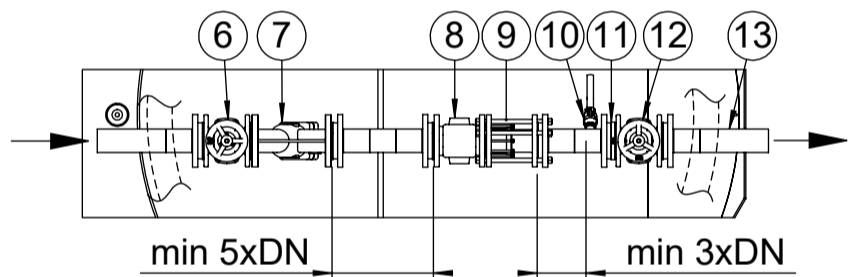
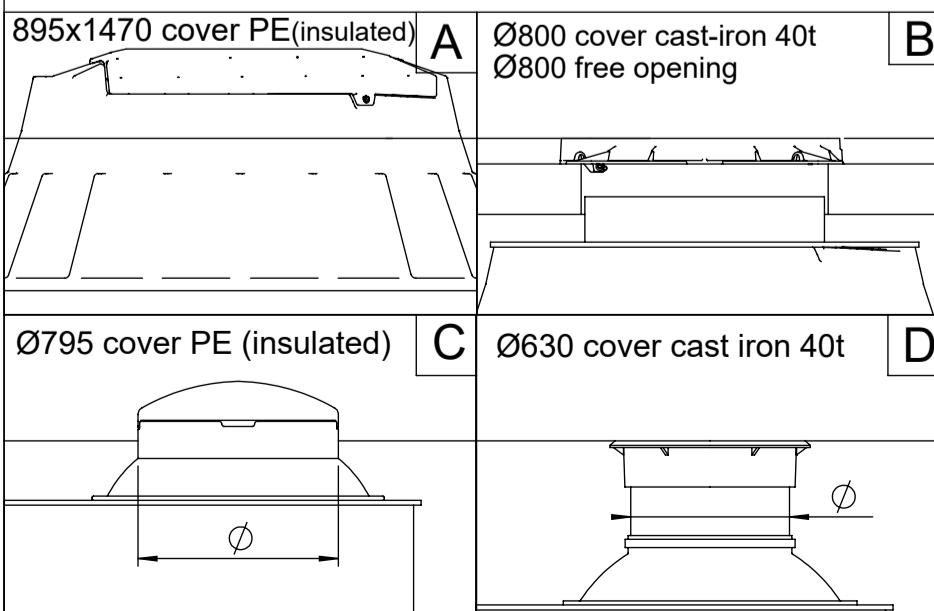


NB! Current composition DN80 max.



Pos.	Description	Material, Type	Size
1	Cover	PE / Cast iron	according to selection
2	Handrail, telescopic	AISI316	270x1620
3	Service opening	PE	according to selection
4	Ladder, non slippery steps	AISI316	300x345
5	Tank cylinder, double wall	PE100	ID2000, SN4
6	Gate valve AVK	Ductile iron, epoxy coating	according to selection
7	Mud stainer	Ductile iron, epoxy coating	according to selection
8	Watermeter	Steel	according to selection
9	Dismatting joint	Steel	according to selection
10	Ball valve, for emptying	Brass	DN25, G1"
11	Non return valve	Steel	according to selection
12	Gate valve AVK	Ductile iron, epoxy coating	according to selection
13	Pressure pipe	PE100	according to selection
14	Bottom	PE100/Concrete	180 mm
15	Concrete reinforcement slabs	Concrete	280 mm
	Bolts, nuts, washers	AISI316	M16



Service opening type	A <input type="checkbox"/> B <input type="checkbox"/> C <input type="checkbox"/> D <input type="checkbox"/>
Handrail, telescopic (not available for type "B")	<input type="checkbox"/> YES / NO <input type="checkbox"/>
Pressure pipe depth from Ground Surface	H = mm
Pressure pipe diameter	D = mm
Watermeter size	DN =
Mud stainer	YES <input type="checkbox"/> NO <input type="checkbox"/>
Non return valve	YES <input type="checkbox"/> NO <input type="checkbox"/>

Drawn:	K.Käbi	Watermeter well ID2000 STRONG		
Approved:				
www.iwsgroup.ee		Mass: kg	Product code:	Rev.
Innovative Water Systems		NA	505225 / ordersheet	3