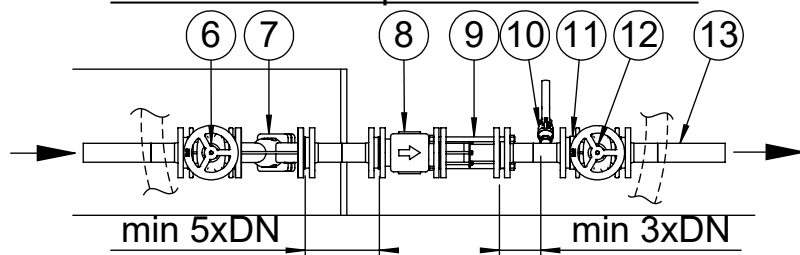
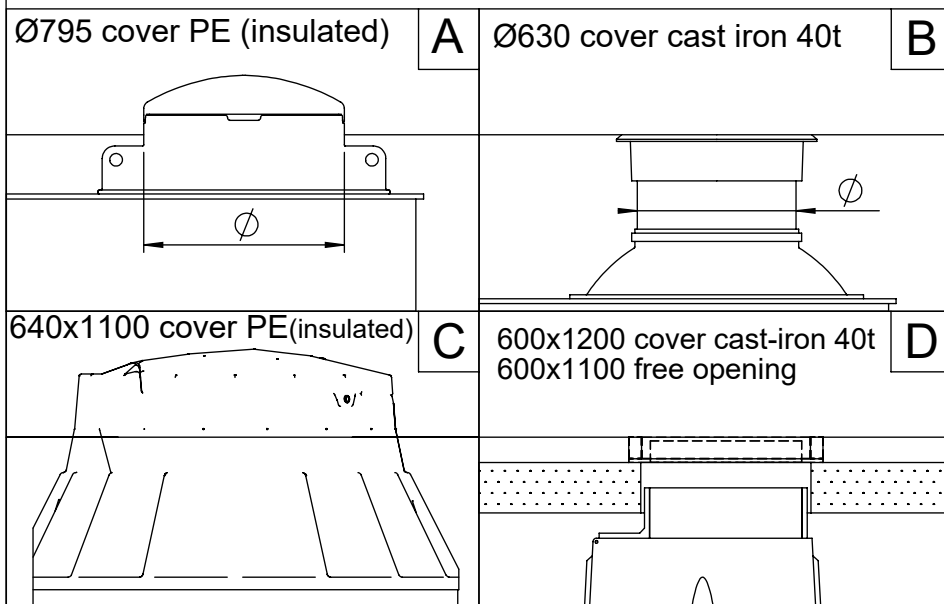


NB! Current composition DN50 max.



Pos.	Description	Material, Type	Size
1	Cover	PE / Cast iron	according to selection
2	Handrail, telescopic, HAILO	AISI316	270x1620
3	Service opening	PE	according to selection
4	Ladder, non slippery steps, HAILO	AISI316	300x340
5	Tank cylinder, double wall	PE100	ID1600, SN4
6	Gate valve AVK	Ductile iron	according to selection
7	Mud stainer	Ductile iron	according to selection
8	Watermeter	Steel	according to selection
9	Dismantling joint	Steel	according to selection
10	Ball valve, for emptying	Brass	DN25, G1"
11	Non return valve	Steel	according to selection
12	Gate valve AVK	Ductile iron	according to selection
13	Pressure pipe	PE100	according to selection
14	Bottom	PE/Concrete	155 mm
	Bolts, nuts, washers	AISI316	M16



Service opening type	A <input type="checkbox"/> B <input type="checkbox"/> C <input type="checkbox"/> D <input type="checkbox"/>
Handrail, telescopic (not available for type "B")	<input type="checkbox"/> YES / NO <input type="checkbox"/>
Pressure pipe depth from Ground Surface	H =mm
Pressure pipe diameter	D =mm
Watermeter size	DN =
Mud stainer	YES <input type="checkbox"/> NO <input type="checkbox"/>
Non return valve	YES <input type="checkbox"/> NO <input type="checkbox"/>

Drawn: E.Ehala
 Approved: J.Karolin

Watermeter well ID1600 STRONG

www.iwsgroup.ee Mass: kg Product code: Rev.
Innovative Water Systems NA 505220 / ordersheet 1