

Pos.	Description	Material, Type	Size
1	Cover	PE / Cast iron	according to selection
2	Handrail, telescopic, HAILO	AISI316	270x1620
3	Service opening	PE	according to selection
4	Ladder, non slippery steps, HAILO	AISI316	300x340
5	Tank cylinder, double wall	PE100	ID1600, SN4
6	Backing ring	PP - Steel	according to selection
7	Gate valve, AVK	Ductile iron, epoxy coated	according to selection
8	Flanged tee	Ductile iron, epoxy coated	according to selection
9	Tensile combi-flange	Ductile iron, epoxy coated	according to selection
10	Pressure pipe	PE100	according to selection
11	Bottom	PE/Concrete	155 mm
	Bolts, nuts, washers	AISI316	according to selection

640x1100 cover PE (insulated)

A

DN800 cover cast-iron 40t  
Ø800 free opening

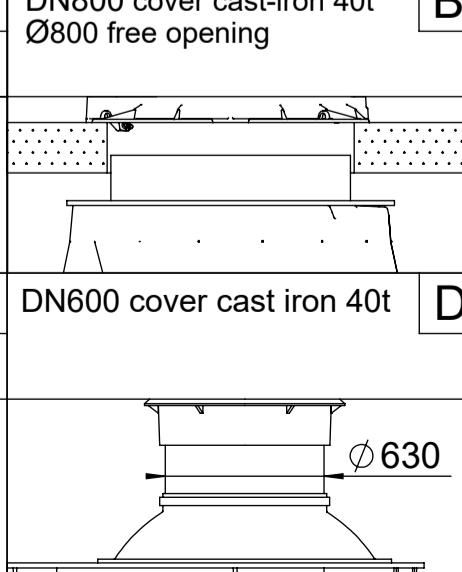
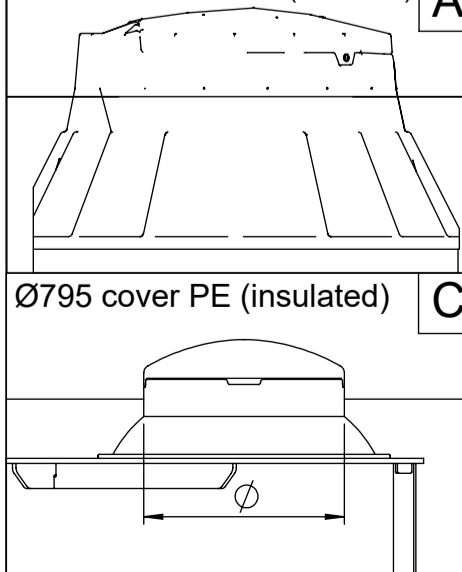
B

Ø795 cover PE (insulated)

C

DN600 cover cast iron 40t

D



Service opening type	A <input type="checkbox"/> B <input type="checkbox"/> C <input type="checkbox"/> D <input type="checkbox"/>
Handrail, telescopic (not available for type "B")	<input type="checkbox"/> YES / NO <input type="checkbox"/>
Pressure pipe depth from Ground Surface	H =            mm
Pressure pipe 1 diameter	D1 =            mm
Pressure pipe 2 diameter	D2 =            mm
Pressure pipe 3 diameter	D3 =            mm

Drawn:	E.Ehala	<b>Valve chamber ID1600 STRONG</b>
Approved:	J.Karolin	

www.iwsgroup.ee	Mass: kg	Product code:	Rev.
<b>Innovative Water Systems</b>	NA	<b>505220 / ordersheet</b>	<b>3</b>