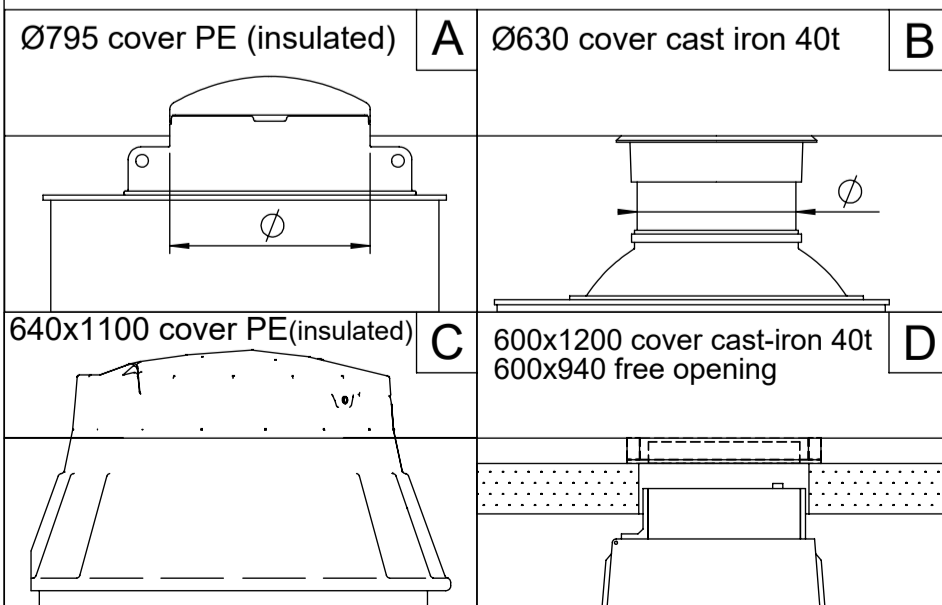


Pos.	Description	Material, Type	Size
1	Cover	PE / Cast iron	according to selection
2	Handrail, telescopic, HAILO	AISI316	270x1620
3	Service opening	PE	according to selection
4	Ladder, non slippery steps, HAILO	AISI316	300x340
5	Tank cylinder, double wall	PE100	ID1400, SN4
6	Ball valve 1, for closing	Brass	according to selection
7	Mud stainer	Brass	according to selection
8	Watermeter, with console	Steel	according to selection
9	Ball valve 2, for emptying	Brass	according to selection
10	Non return valve	Brass	according to selection
11	Ball valve 3, for closing	Brass	according to selection
12	Pressure pipe	PE100	according to selection
13	Bottom	PE/Concrete	155 mm



Service opening type	A <input type="checkbox"/> B <input type="checkbox"/> C <input type="checkbox"/> D <input type="checkbox"/>
Handrail, telescopic (not available for type "B")	<input type="checkbox"/> YES / NO <input type="checkbox"/>
Pressure pipe depth from Ground Surface	H =mm
Pressure pipe diameter	D =mm
Watermeter size	DN =
Mud stainer	YES <input type="checkbox"/> NO <input type="checkbox"/>
Non return valve	YES <input type="checkbox"/> NO <input type="checkbox"/>

Drawn:	E.Ehala	Watermeter well ID1400 STRONG		
Approved:	J.Karolin			
www.iwsgroup.ee		Mass: kg	Product code:	Rev.
Innovative Water Systems		NA	505215 / ordersheet	1