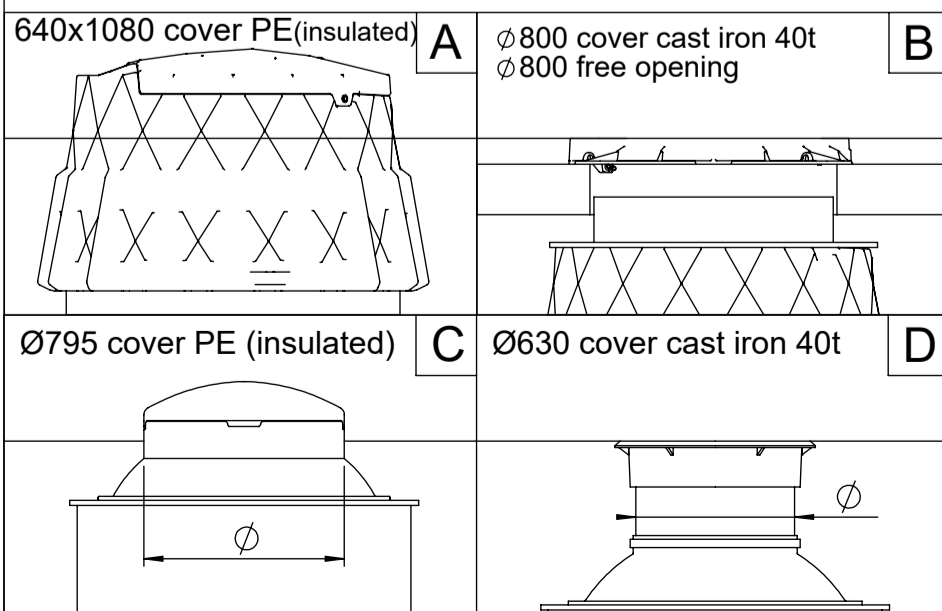


| Pos. | Description | Material, Type | Size |
|------|-----------------------------------|------------------------|------------------------|
| 1 | Cover | PE / Cast iron | according to selection |
| 2 | Handrail, telescopic, HAILO | AISI316 | 270x1620 |
| 3 | Service opening | PE | according to selection |
| 4 | Ladder, non slippery steps, HAILO | AISI316 | 300x340 |
| 5 | Air release valve | Steel | according to selection |
| 6 | Tank cylinder, double wall | PE100 | ID1200, SN4 |
| 7 | Ball valve / Gate valve AVK | AISI316 / Ductile iron | according to selection |
| 8 | Pressure pipe | PE100 | according to selection |
| 9 | Bottom | PE/Concrete | 155 mm |
| 10 | Backing rings | PP-Steel | according to selection |
| 11 | Bolts, nuts, washers | AISI316 | M16 |



| | |
|---|--|
| Service opening type | A <input type="checkbox"/> B <input type="checkbox"/> C <input type="checkbox"/> D <input type="checkbox"/> |
| Handrail, telescopic (not available for type "B") | <input type="checkbox"/> YES / NO <input type="checkbox"/> |
| Pressure pipe depth from Ground Surface | H = mm |
| Pressure pipe diameter | D = mm |
| Air release valve type | Potable water <input type="checkbox"/> Sewage <input type="checkbox"/> |
| Air release valve connection | 1" <input type="checkbox"/> 2" <input type="checkbox"/> DN50 <input type="checkbox"/> DN80 <input type="checkbox"/> DN100 <input type="checkbox"/> |

| | | | | |
|---------------------------------|-----------|---------------------------------------|----------------------------|----------|
| Drawn: | K.Käbi | Air release well ID1200 STRONG | | |
| Approved: | J.Karolin | | | |
| www.iwsgroup.ee | | Mass: kg | Product code: | Rev. |
| Innovative Water Systems | | NA | 505210 / ordersheet | 3 |