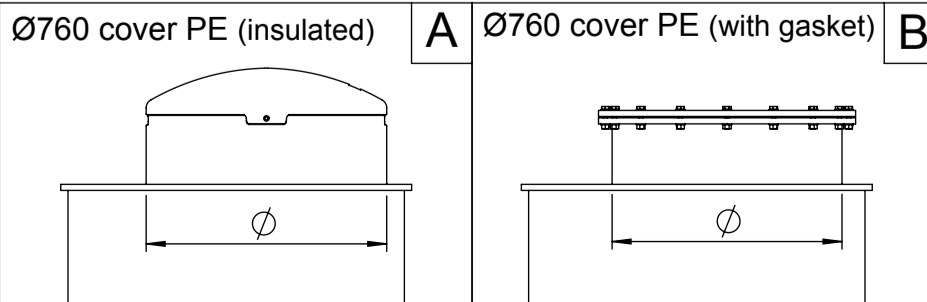


Pos.	Description	Material	Size
1	Cover	PE	according to selection
2	Service opening	PE	according to selection
3	Inlet pipe	PE100	according to selection
4	Tank cylinder, double wall	PE100	ID1000, SN4
5	Outlet pipe	PE100	according to selection
6	Bottom	PE100	20 mm
7	Anchor bolt W-FA	AISI316	M20x180, 8 pcs
8	Ladder with handrail, non slippery steps	AISI316	optional
9	Service border H1100	AISI304	optional
10	Safety cage for ladder	AISI304	optional

Volume V (m3)	Height H (mm)	Product code
1	1340	501001
2	2640	501002
3	3940	501003
4	5140	501004

Volume	V=	m3
Service opening type	A	B
Ladder with handrail, non slippery steps	YES / NO	
Service border H1100	YES / NO	
Safety cage for ladder	YES / NO	
Outlet pipe diameter	DN1 =	
Outlet pipe from bottom plate	H1 =	mm
Inlet pipe diameter	DN2 =	
Inlet pipe from ceiling plate	H2 =	mm
Inlet angle (measured clockwise from OUTLET)	$\alpha =$	°
Ladder angle (measured clockwise from OUTLET)	$\beta =$	°



Drawn:	A.Käärid	<b>Above-ground tank ID1000 STRONG</b>		
Approved:	J.Karolin			
www.iwsgroup.ee		Mass: kg	Product code:	Rev.
<b>Innovative Water Systems</b>		<b>NA</b>	<b>5010 / ordersheet</b>	<b>0</b>